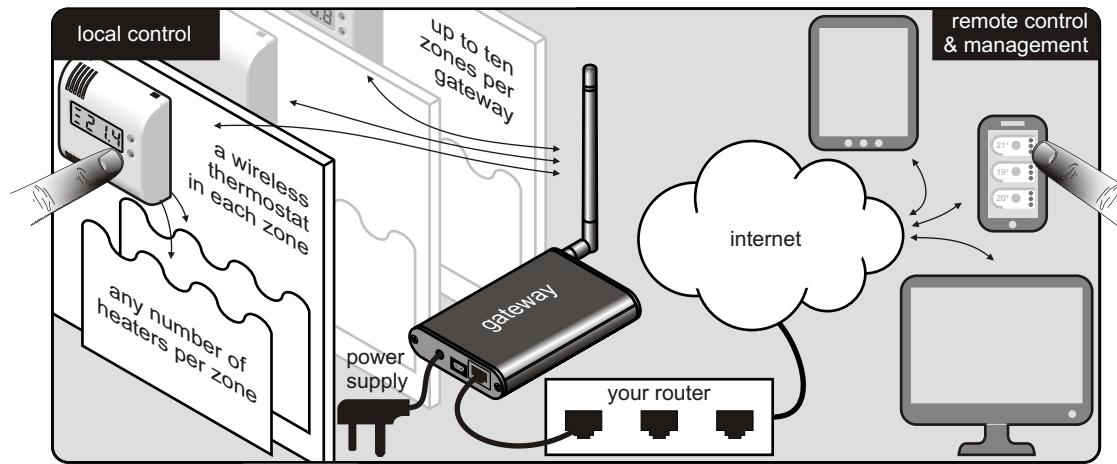




Multizone heating control Quick Start Guide

made in the UK

V3



please see help pages in the web app

Web: celsiasystems.co.uk
Tel: +44 (0) 1298 77166

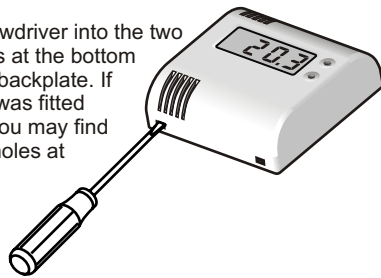
Hereby, Celsia Systems, declares that this thermostat is in compliance with the essential requirements and other relevant provisions of Directive 1999/5/EC. A copy of the full declaration of conformity can be obtained via the contact details above.

Start here

Follow the steps below to install your system. Turn over for a brief guide to using the system. Once you have your system online you will find additional help pages in the app.

1 Remove thermostat back plate

Push a screwdriver into the two recessed holes at the bottom to release the backplate. If the backplate was fitted upside down you may find the recessed holes at the top.



2 Insert thermostat batteries

Insert 2 new high quality AAA alkaline batteries. Do not refit the backplate yet.

WARNING

The manufacturer is not responsible for damage due to corrosion. Battery leakage will cause permanent damage. To help avoid this:

- Replace the batteries annually, even if there is not a low battery warning. Remove failing or flat batteries immediately.
- Always fit a pair of new high quality alkaline batteries from the same pack. Never mix new and old batteries, or batteries of different brands or types.
- Never attempt to revive alkaline batteries by heating, crushing or recharging.

3 Pair heater with thermostat

You **must** make a wireless connection between your heater and your thermostat.

1. Switch your heater's mains supply off.

If you don't do this the heater is not going to work

2. Now, **timing is critical**: switch it on for three seconds then off again. You can say, "On, one thousand, two thousand, three thousand, off".

3. Switch it back on. The light on the heater should be flashing; if it is not flashing restart the procedure.

4. You now have half a minute to press the button on the back of the thermostat. Once pressed, the light on the heater will immediately stop flashing and possibly change colour depending on the settings and the room temperature.

Now that it is paired you shouldn't ever have to do it again, though you may also wish to follow this procedure if you add more heaters or move your heater to another thermostat.

4 Getting online

Plug the power cable into the gateway and connect your gateway to your router with the network cable.

With any browser go to <http://csv1.celsiasystems.co.uk>

Click on "Create an account" and follow the instructions.

Your heating control

account

password

Sign In

Create an account

5 Pair thermostat with gateway and test system

It is best to do this when you are online. Just find the System setup screen, click Add Zone and follow the instructions. From this screen you can give your gateway and each zone a name. Check that the system works by switching heaters on and off from the app.

If you are not online you can pair the thermostat and gateway by pressing PAIR on the gateway with the supplied pin then pressing the button on the back of the thermostat. To test the system press and hold PAIR, and while it is pressed, press MODE. L3 starts to flash red. All zones are on full-power for a period of 10 minutes or until you cancel the test by pressing MODE.

6 Choose thermostat position

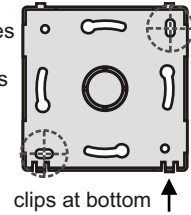
Position on the wall in the same room as the heater. It should be where its temperature will not be changed by local effects. Avoid:

- Draughty places near windows, doors and vents.
- Places near the heater itself or any other heat sources in the room.
- Places where the sun will shine on it.
- Places where, for example, it could be hit by a door.
- Places where it may get wet.

Before permanently fixing it, hold the thermostat in the chosen position and adjust it to make your heater turn on. If it does not turn on, consider a different position.

7 Fix thermostat to the wall

Mark through the screw holes on the rear. Drill and plug the wall to accept two No. 6 screws and mount the wall plate. Clip the thermostat back onto the wall plate.



clips at bottom ↑



Your wireless thermostat

Your thermostat gives precision control of the zone temperature. Being battery powered, it is completely wireless. Once set up, it will keep to its 7 day schedule even if the gateway is switched off.

Model CTH1 has no buttons or display for where occupants do not need to make adjustments.



Model CTH3 has a display and buttons so the occupant can see and adjust the temperature.

The thermostat normally shows the measured temperature. When you press a button it flashes the set temperature. Press a button while it is flashing to adjust the set temperature between 4°C and 30°C or --.- for no heating. Sometimes you are not permitted to adjust depending on app overrides. Your adjustment usually starts a temporary override of the normal scheduled temperature, depending on how it was set up from the app.



The left hand dot flashes while there is a temporary override. You can cancel the override by pressing both buttons at the same time.



The bars on the left show the heater's current power.



Cleaning

Clean only with a soft, lint-free cloth. Avoid getting moisture on buttons or openings. Do not use sprays, liquids or abrasives; doing so may cause damage.

Your Heater

The heater has a control light which may be:

- green - when no heat is needed
- yellow - when some heat is needed to maintain the room temperature
- red - when it is on at full power

The light is normally on continuously, but may wink off or flash as described below.

The thermostat sends a radio signal. When the heater receives the signal, the light winks off briefly and may change colour.

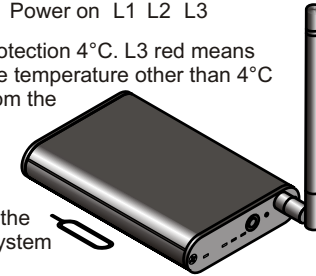
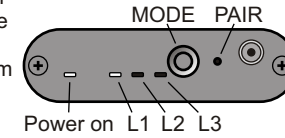
When the heater is on, the light is always green until the first signal.

A slow flashing green light means that the heater has not received a radio signal for at least 5 minutes. Follow the installation steps to fix this.



Your gateway

Normally the "Power on" and L1 lights are green. Pressing MODE changes from L1 to L2 flashing green which means all zones are overridden to frost protection 4°C. L3 red means some system override temperature other than 4°C has been selected from the app. Pressing MODE again cancels any system override.



PAIR is pressed with the supplied pin during system setup.